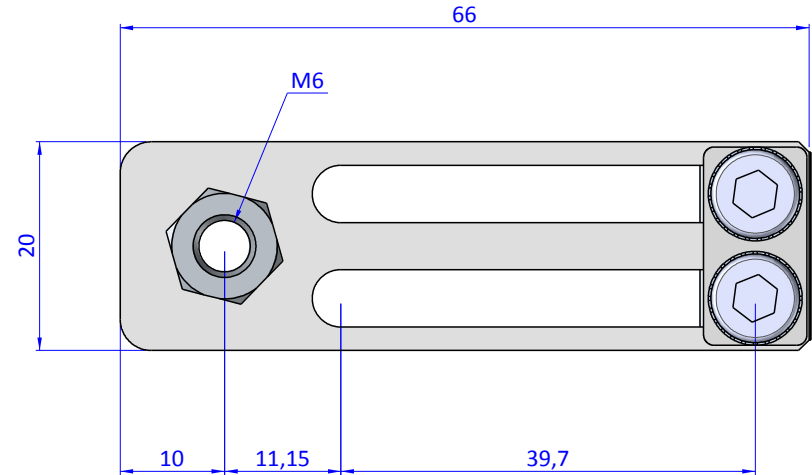
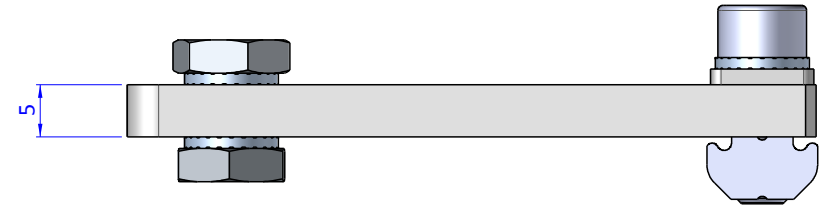
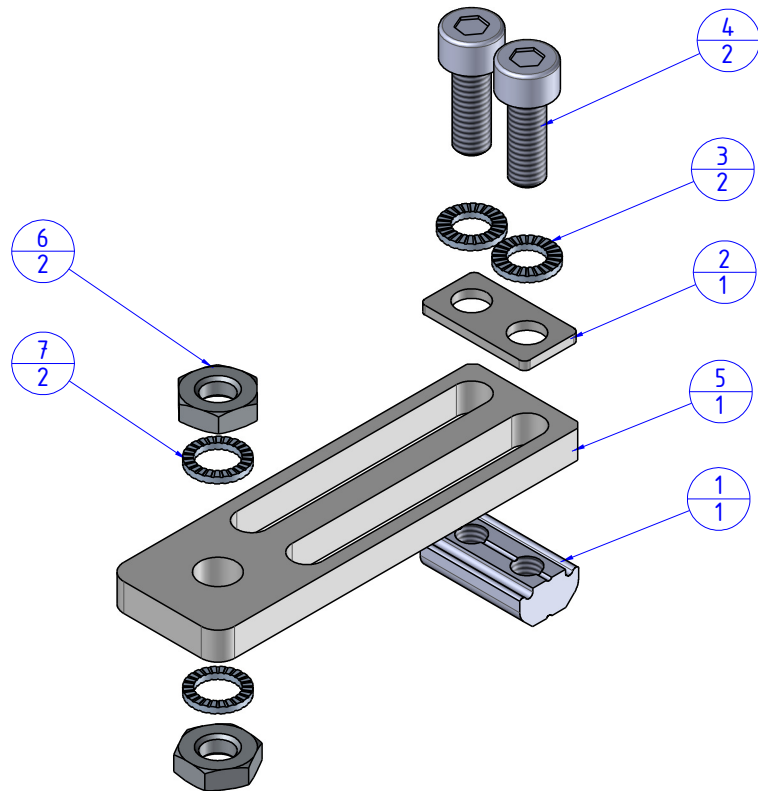



THE PROPERTY OF THE DRAWING IS ESTABLISHED BY LAW. IT IS FORBIDDEN TO PRODUCE OR SHOW IT TO THIRD PARTY, WITHOUT A WRITTEN AGREEMENT.

Object Number	Name	QTY
1	CA.GWP.5.10	1
2	R.05.10	1
3	R.5.SCH	2
4	V.TCE5x14	2
5	04.20.06	1
6	D.6(UNI4035 M6x1)	2
7	R.6.SCH	2



Format A3

UNI 936-76

 FPS SERVICES AUTOMATION		DESIGNED FROM		REVIEW
		FPS Automation		A
GENERAL TOLERANCE		DATE	WEIGHT	
UNI - ISO 2768		31/05/2019	0,032kg	
CLASSE F		CODE		
		CA.04.20.06.X		CA.04.20.06.X